

# 567 SERIES



**46" INTERACTIVE COMMERCIAL LCD HDTV**  
Pro:Idiom™  
MPEG4 H.264

## Industry Leading Design and Performance

Our Performance class of LCDs for the Hospitality Industry boasts Full HD 1080p resolution, Pro:Idiom™ technology and are Energy Star 4.0 compliant. Each includes Hotel commercial television features, Volume Limiters, Front Panel Lock-out, Menu Display Lock-Out, Hotel Custom Logo/Welcome Message, Channel Electronic Program Guide (EPG) Re-Mapping, Remote Jack Pack (RJP) Priority, USB Cloning and Anti-Theft Battery Cover Remote Control. With so many features, Samsung is the hotelier's logical choice.



www.pdisat.com  
sales@pdisat.com  
6353 West Rogers Circle, Suite 6  
Boca Raton, FL 33487  
ph: 800.242.1606  
fax: 561.998.0608

## LN46D567F9HXZA

46" Interactive Commercial LCD HDTV

### VIDEO PERFORMANCE

- Fast 8ms Response Time
- FHD 1920 x 1080 (1080p)
- 200,000 : 1 Dynamic Contrast Ratio
- MPEG2/MPEG4 H.264 Decoding

### FEATURES

- Sleep Timer
- Auto TV On
- Close Caption
- ConnectShare™ (USB 2.0)
- Auto Channel Search
- Auto Volume Limiter
- 90°/90° Swivel (Left/Right)
- Pro:Idiom™
- OSD Language
- Hotel Mode Plug & Play
- Music Mode (Input: PC/AV/Component)
- Music Mode Backlight On/Off
- Hotel TV (RJ12/IR Pass Through)
- Power On Status Setting (Master)
- USB Cloning
- Multi Code Remote
- Anti-Theft Battery Cover
- Channel List
- Alarm Key
- Hotel Logo Display with Time Out Setting
- SIRCH

### CONNECTIONS

- 3 HDMI®
- 2 USB
- RJ-12 Interactive Port with IR pass-through

### AUDIO

- Dolby® Digital Plus
- SRS TheaterSound®
- 10W x 2

### NET DIMENSIONS (WxHxD)

TV without stand: 43.4" x 26.5" x 3.1"  
TV with stand: 43.4" x 28.9" x 10.2"

### UPC

036725 2 3581 6

### REMOTE JACK PANEL COMPATIBILITY (RJP)

Guest Link, Teleadapt  

### INTERACTIVE COMPATIBILITY SYSTEM:

Lodgenet, Enseo, N-Streams, Guest-Tek, Seachange, NXSystems, IBAHN, Tangerine, VRN



# LN46D567F9HXZA 46" Interactive Commercial LCD HDTV

## VIDEO PERFORMANCE

**Response Time:** A fast 8ms response time minimizes blurring of fast motion in sports or action programs

**1920 x 1080 (1080p) FHD Resolution:** High resolution pixel density is combined with an image scaler to handle inputs from a variety of sources

**200,000 : 1 Dynamic Contrast Ratio:** Black tones and shadow areas are rendered superbly and with great range

**MPEG2/MPEG4 H.264 Decoding:** Part 10 or AVC (Advanced Video Coding) is a standard for video compression

**Exceeds Energy Star Standard:** LCD energy efficient, up to 30% less than the latest energy star specification on series and screen size and in standard hotel mode

See [www.energystar.gov](http://www.energystar.gov) for more details.

## FEATURES

**Sleep Timer:** Set turn off time

**Auto TV On:** Program TV channel or AV at turn on

**Closed Captioning:** A text display of all audio content including spoken dialog and non-speech information such as the identity of the speakers and symbols for sound effects and music

**ConnectShare™ (USB 2.0):** Connect a thumb drive or digital camera quickly and easily. User friendly interface allows access to videos, a music playlist and pictures via the remote

**Auto Channel Search:** Auto detect channel while in hotel mode

**Auto Volume Limiter:** During initial product set-up, minimum and maximum volume levels can be locked to help minimize disturbance to other hotel guests

**Swivel Base (Left/Right):** 90°/90° degree swivel. Also included is security lock down base to furniture or granite

**Pro:Idiom™:** Embedded digital rights management (DRM) video content security system designed to encrypt the signal so that only authorized Pro:Idiom HDTVs can decode the signal and display the video on its screen; No additional cards are needed

**OSD Language:** English/French/Spanish

**Hotel Mode Plug & Play:** Interactive Stand Alone

**Music Mode (Input: HDMI/PC/AV/Component):** When picture is muted allows audio feedback

**Music Mode Backlight On/Off:** Background Display

**Hotel TV (RJ-12/IR Pass Through):** Connecting Interactive STB/SBD (Set Top/Back Box)

**Power On Status Setting:** Power always on, last option, or standby

**USB Cloning:** A quick and easy way to copy the ideal settings of television to others on the property. Saves time and helps provide a consistent viewing experience for all televisions.

**Multi Code Remote:** Eliminates interference when two or more TVs are used in close proximity

**Anti-Theft Battery Cover:** Battery door is secured helping to always keep batteries in the remote controller

**Channel List:** Re-mapping of A/V or digital minor channel

**Alarm Key:** Activate TV as wake up alarm

**Hotel Logo Display with Time Out Setting:** Display hotel logo bitmap files as a greeting startup display

**SIRCH:** Samsung Interactive Remote Control for Hospitality is a management head-end remote control system that is able to manage applications such as channel line-up, channel names, TV Cloning, and firmware upgrades to all hotel TV's, all at the same time from a remote location (Additional equipment required)

## CONNECTIONS

**3 HDMI®** – version 1.3 (2 side, 1 rear)

**2 USB** – version 2.0 (side)

**RF input:** 1 (rear)

**Component (Y/Pb/Pr):** 1 (rear)

**Composite (AV):** 1 (Common use for Component Y)

**PC D-sub:** 1 (rear)

**PC Audio Jack:** 1 (rear)

**Audio Out (Line Out) Monitor:** 1 (rear)

**Optical Sound Out:** 1 (rear)

**RJ-12 for External Control:** 1 (rear)

## AUDIO

**Dolby® Digital Plus**

**10 watts x 2 audio power stereo broadcast reception:** Supports multi-channel sound (MTS) and second audio program (SAP) with 181-channel capacity

**SRS TheaterSound®:** Get crisp, clear digital quality sound via advanced SRS technology

## SPECIFICATIONS

**Panel:** Wide (16:9)

**TV System:** ATSC/Clear QAM Cable

**Channel Coverage:** VHF 2-13, UHF 14-69, CATV

**Antenna:** CATV/VHF/UHF 75

**Audio Power:** 10W x 2

**4 Energy Saving Modes:**

**Power Supply:** AC 100 ~ 120V ~60Hz

**VESA Wall Mount Pattern:** 400mm x 400mm

## NET DIMENSIONS & WEIGHT (WxHxD)

**TV without stand:** 43.4" x 26.5" x 3.1"

**TV without stand weight:** 39 lbs

**TV with stand:** 43.4" x 28.9" x 10.2"

**TV with stand weight:** 47.4 lbs

## WARRANTY

2-year parts and 2-year labor warranty backed by Samsung Hospitality Hotline 1-866-894-0524. Optional professional installation, accessories and extended warranty is available.

## ORDER CODE

LN46D567E1HXZA

## UPC

036725 2 3581 6

©2011 Samsung Electronics America, Inc. All rights reserved. Samsung ConnectShare, AllShare, Smart TV, AnyNet+ are trademarks or registered trademarks of Samsung Electronics Co., Ltd. Design and specifications are subject to change without notice. Non-metric weights and measurements are approximate. Screen images are simulated.

HDMI, the HDMI logo and High-Definition Multimedia Interface are trademarks or registered trademarks of HDMI Licensing LLC.

ENERGY STAR is a registered trademark of the U. S. Environmental Protection Agency.

SRS TheaterSound HD is a registered trademark of SRS Labs, Inc.

Pro:Idiom is a registered trademark of the Zenith Corporation.

LodgeNet and b-LAN are trademarks of LodgeNet Interactive Corporation.

All other product and brand names are trademarks or registered trademarks of their respective owners.

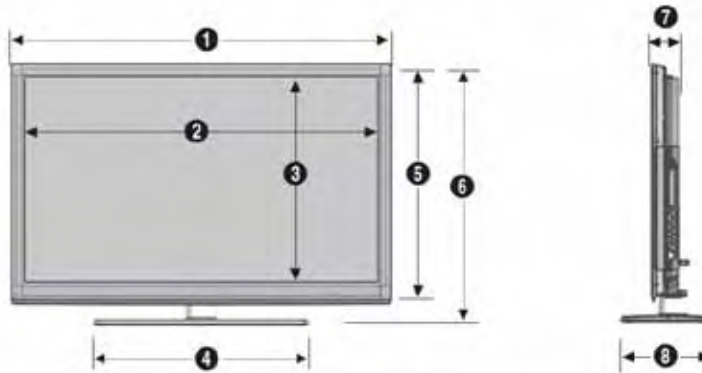


**Pro:Idiom™**



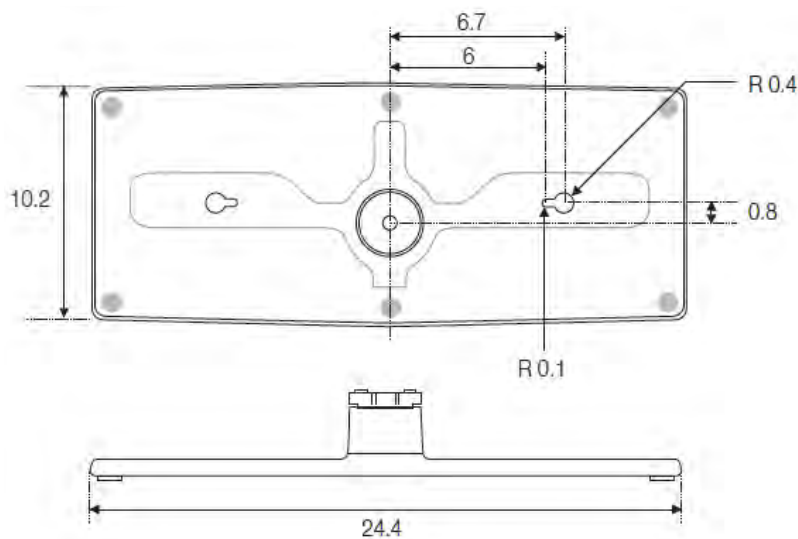
## LN46D567F9HXZA 46" Interactive Commercial LCD HDTV

### DIMENSIONS



(Unit: inches)

1	2	3	4	5	6	7	8
43.8	40.2	22.6	24.4	26.6	28.9	3.1	10.2



### SIRCH - Samsung Interactive Remote Control for Hospitality (Optional equipment purchase required.)



Hotel Installer can Edit hotel Install Menu/Channel Map data by SIRCH windows application program.

TCP/IP  
(Windows Remote Access)



RF

Cool Cable



All hospitality TV's can be updated over an entire installation. This includes delivering TV firmware, channel map and settings.

